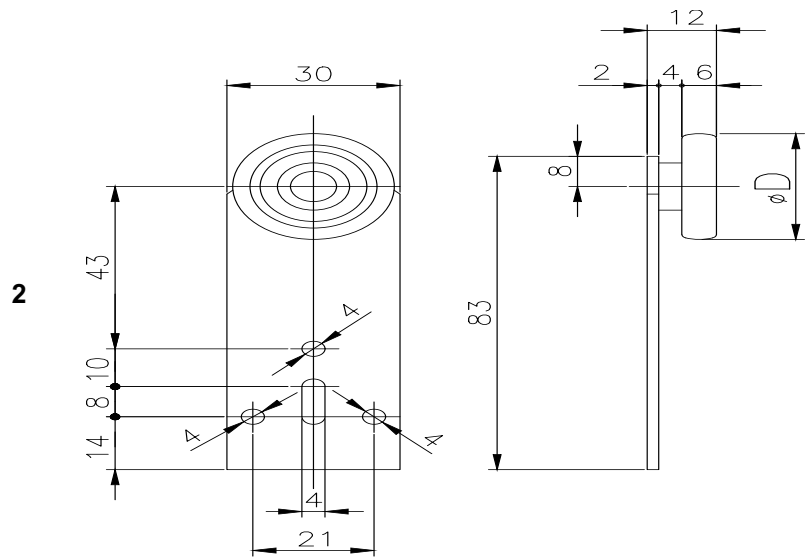


	Article	D	Capacity N
1	TR24-0064Z	24	300
2	TR25-0064Z	25	300
3	TR28-0064Z	28	400
4	TR30-0064Z	30	400
5	TR33-0064Z	33	400

dimension in mm

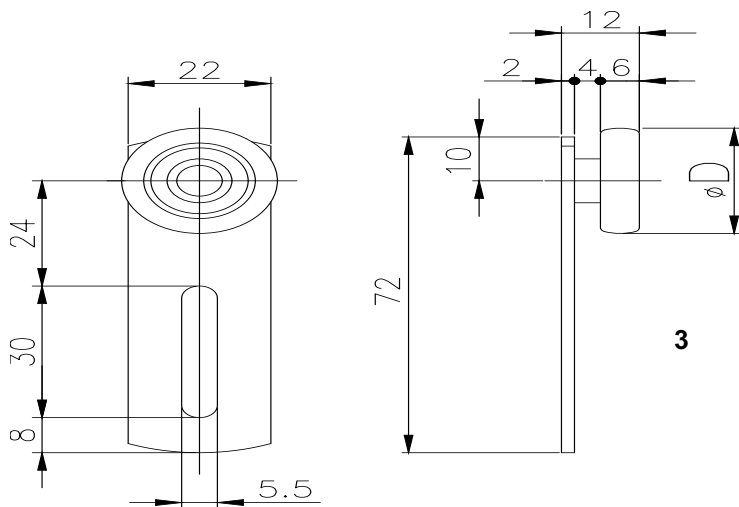
	Article	D	Capacity N
1	TR24-0083Z	24	300
2	TR25-0083Z	25	300
3	TR28-0083Z	28	400
4	TR30-0083Z	30	400
5	TR33-0083Z	33	400

dimension in mm



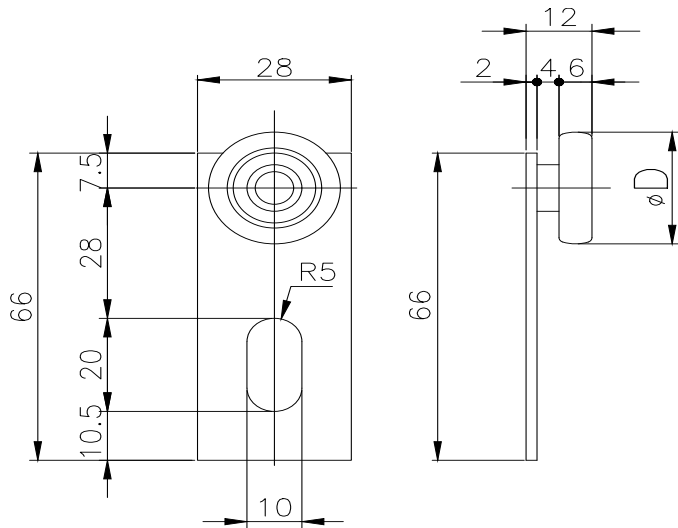
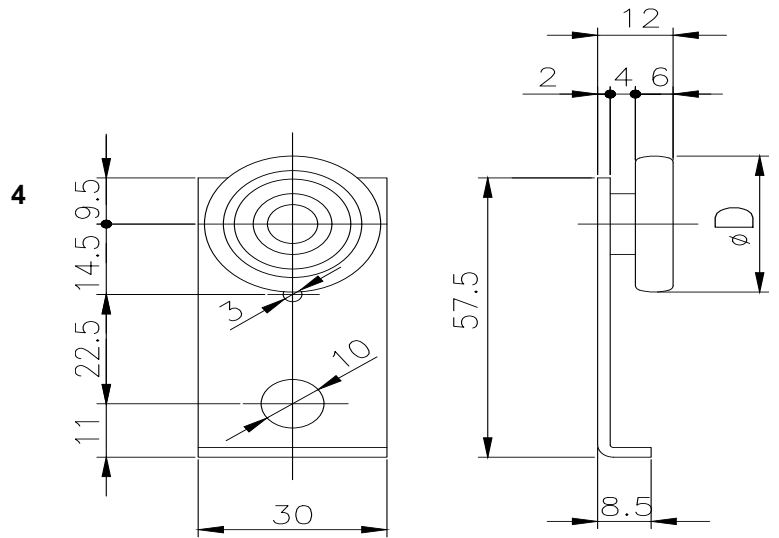
	Articolo	D	portata N
1	TR24-0072Z	24	300
2	TR25-0072Z	25	300
3	TR28-0072Z	28	400
4	TR30-0072Z	30	400
5	TR33-0072Z	33	400

dimension in mm



	Articolo	D	portata N
1	TR24-0067Z	24	300
2	TR25-0067Z	25	300
3	TR28-0067Z	28	400
4	TR30-0067Z	30	400
5	TR33-0067Z	33	400

dimension in mm



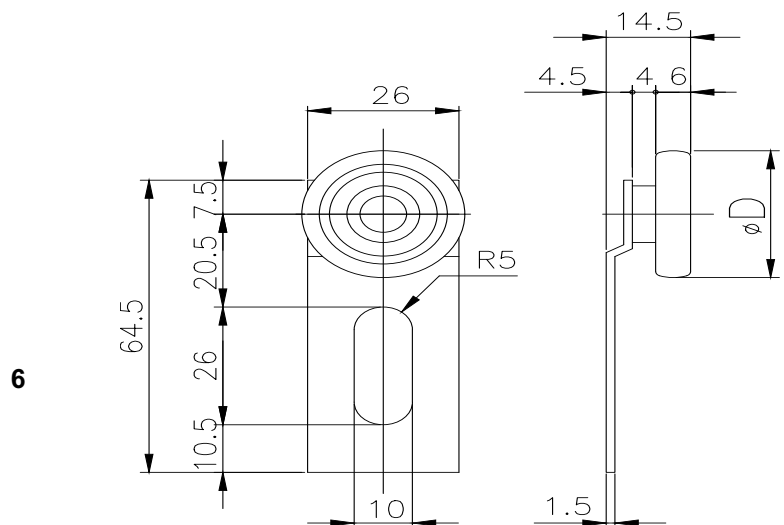
5

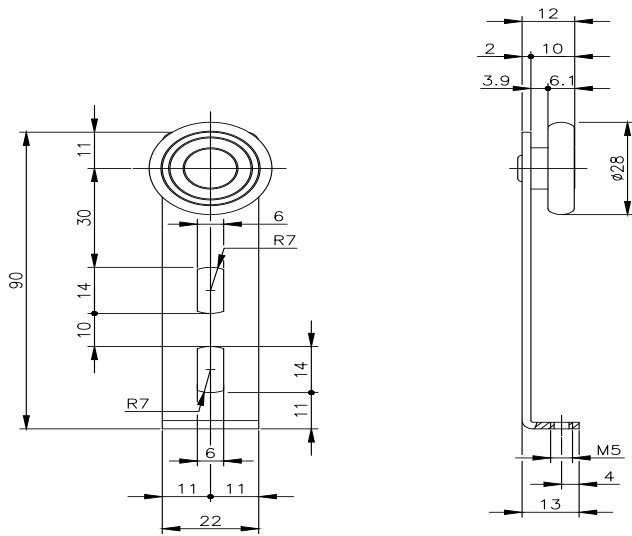
	Article	D	Capacity N
1	TR24-0066Z	24	300
2	TR25-0066Z	25	300
3	TR28-0066Z	28	400
4	TR30-0066Z	30	400
5	TR33-0066Z	33	400

dimension in mm

	Article	D	Capacity N
1	TR24-0065Z	24	300
2	TR25-0065Z	25	300
3	TR28-0065Z	28	400
4	TR30-0065Z	30	400
5	TR33-0065Z	33	400

dimension in mm





7

	Article	D	Capacity N
1	TR24-0090Z	24	300
2	TR25-0090Z	25	300
3	TR28-0090Z	28	400
4	TR30-0090Z	30	400
5	TR33-0090Z	33	400

dimension in mm

CARATTERISTICHE TECNICHE/ TECHNICAL CHARACTERISTICS

Staffe: acciaio UNI5867 Fe P12 zincocromato - Brackets: steel UNI EN 10111 DD12 zinc-chromium plating
 Cuscinetti a sfere: Serie RA - Ball bearings: Code RA

A richiesta, e per quantitativi da stabilire, si eseguono assemblaggi delle staffe con altri articoli, compatibili, presenti in questo catalogo.

A combination of brackets with other compatible articles, included in this catalogue, can be carried out on request and for quantities to be defined